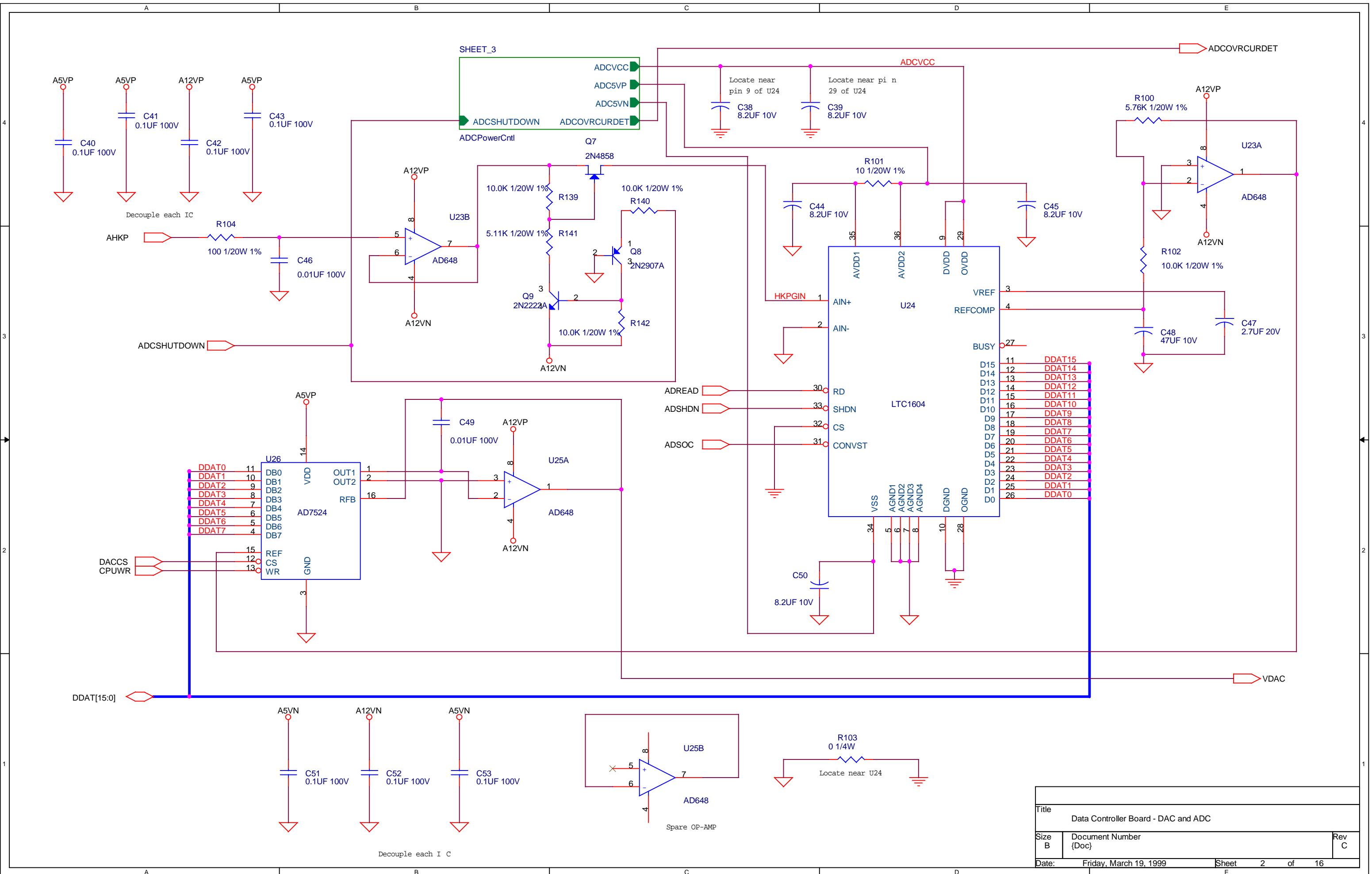
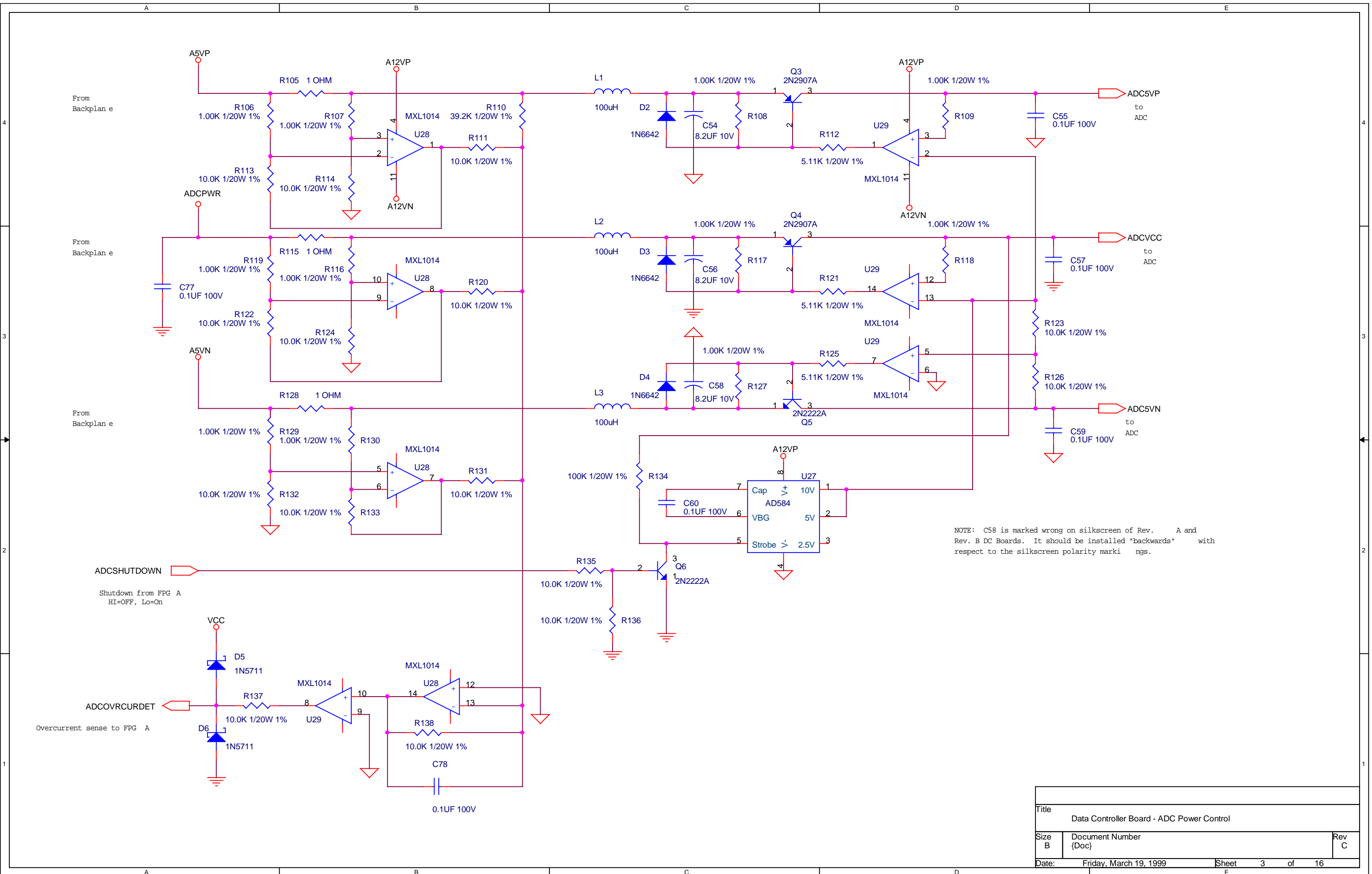


Title		
Data Controller Board		
Size	Document Number	Rev
B	{Doc}	C
Date:	Friday, March 19, 1999	Sheet 1 of 16
		E

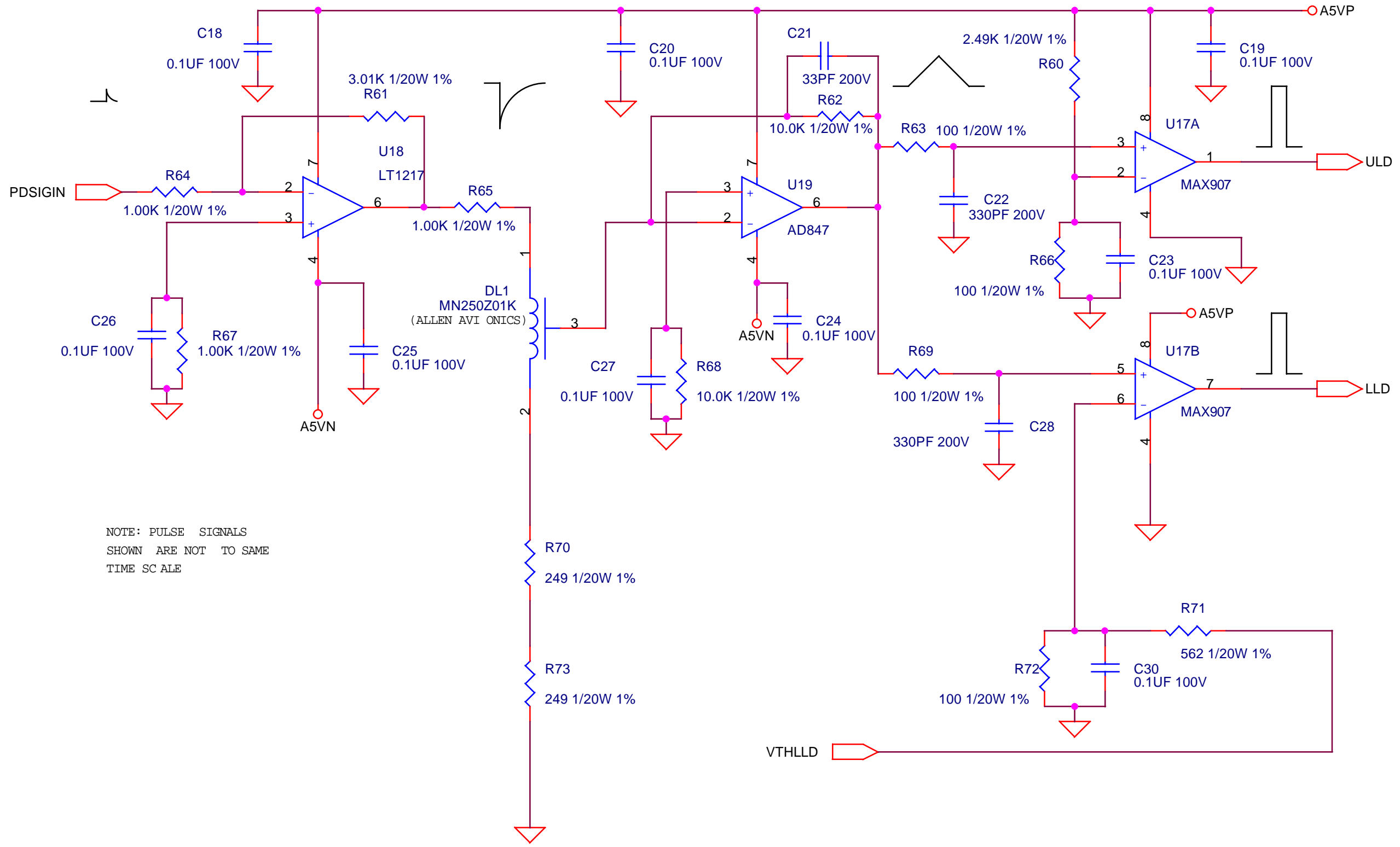


Title		
Data Controller Board - DAC and ADC		
Size B	Document Number {Doc}	Rev C
Date:	Friday, March 19, 1999	Sheet 2 of 16



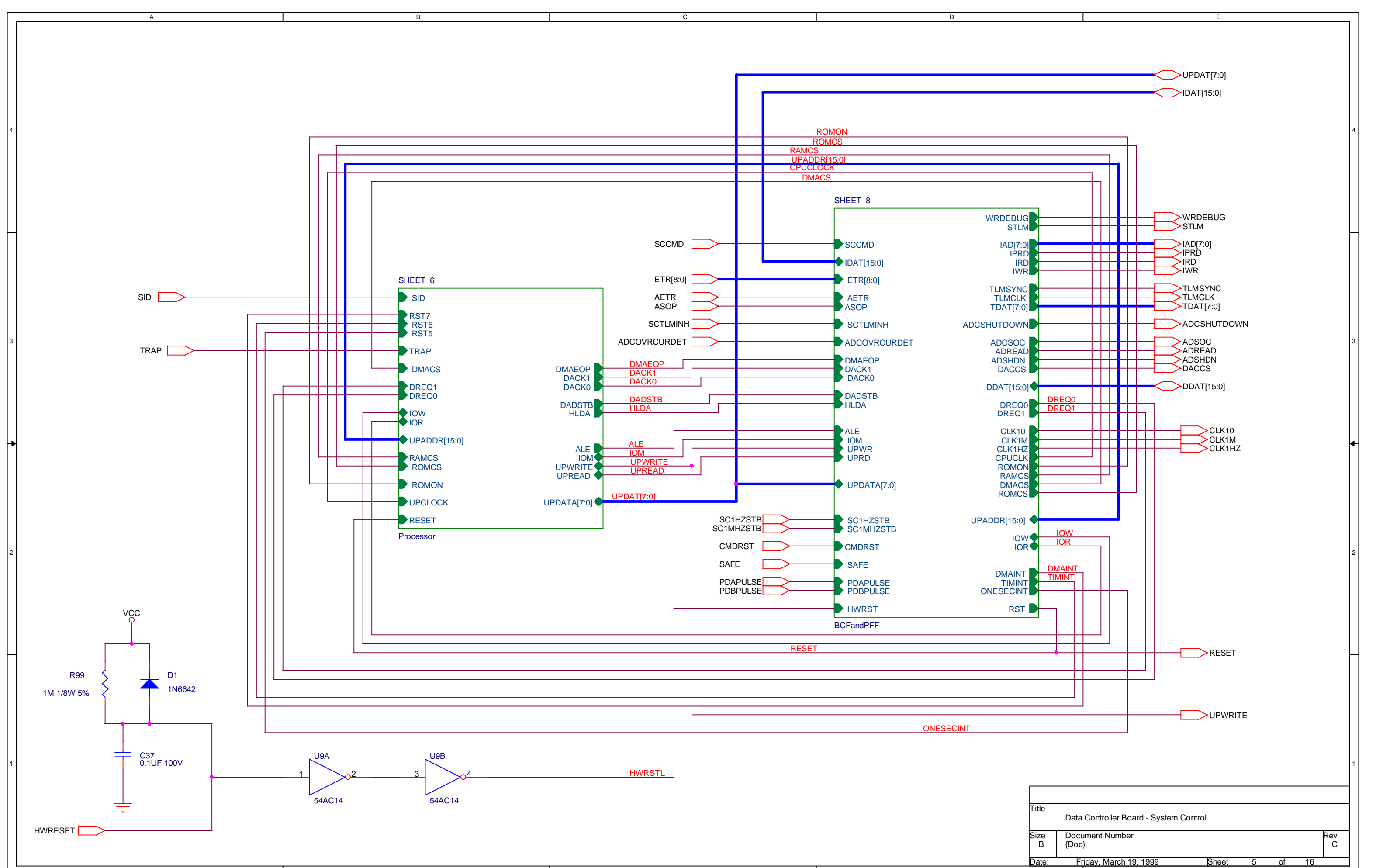
NOTE: C58 is marked wrong on silkscreen of Rev. A and Rev. B DC Boards. It should be installed "backwards" with respect to the silkscreen polarity markings.

Title		
Data Controller Board - ADC Power Control		
Size B	Document Number {Doc}	Rev C
Date:	Friday, March 19, 1999	Sheet 3 of 16

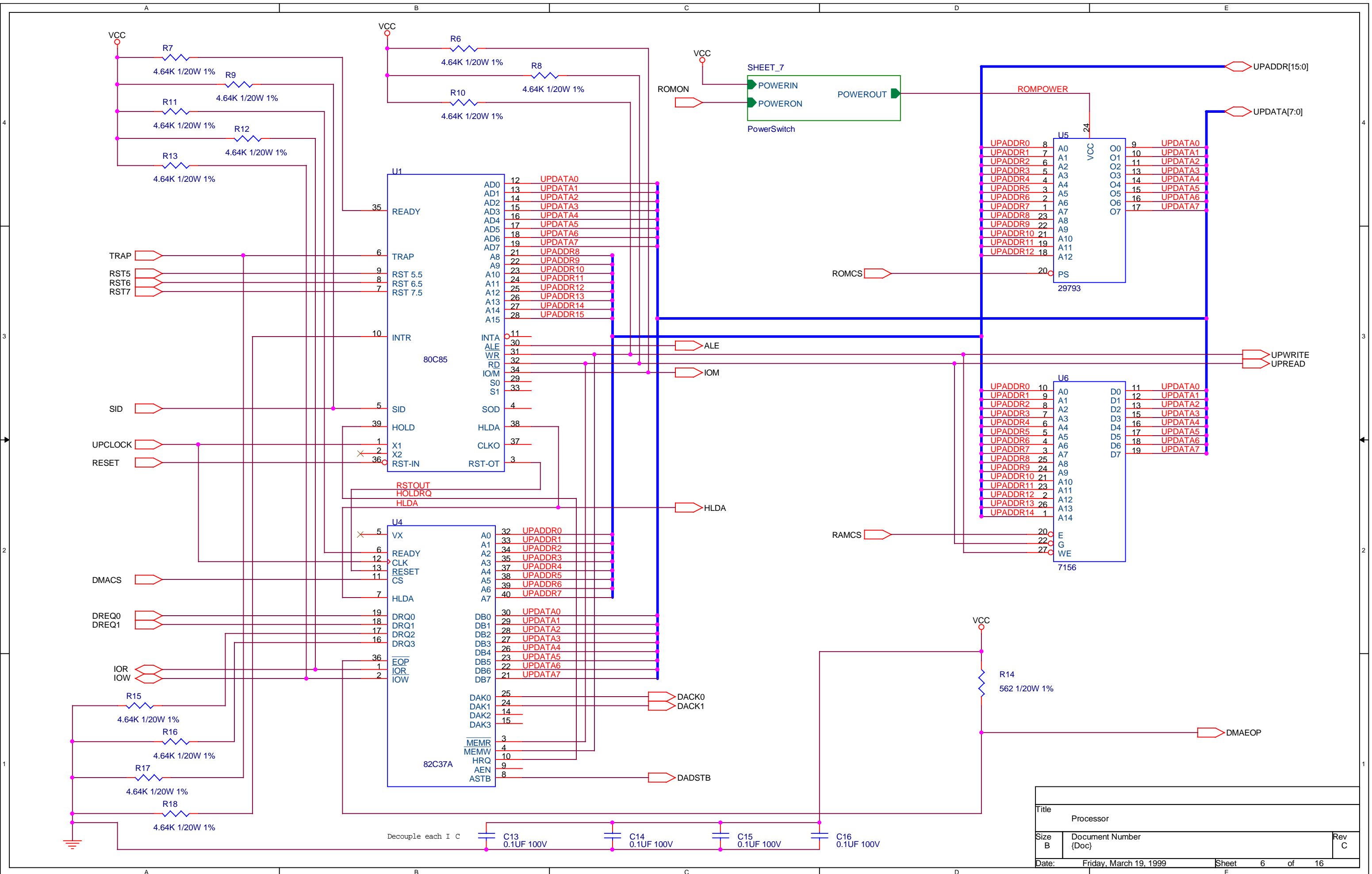


NOTE: PULSE SIGNALS  
SHOWN ARE NOT TO SAME  
TIME SCALE

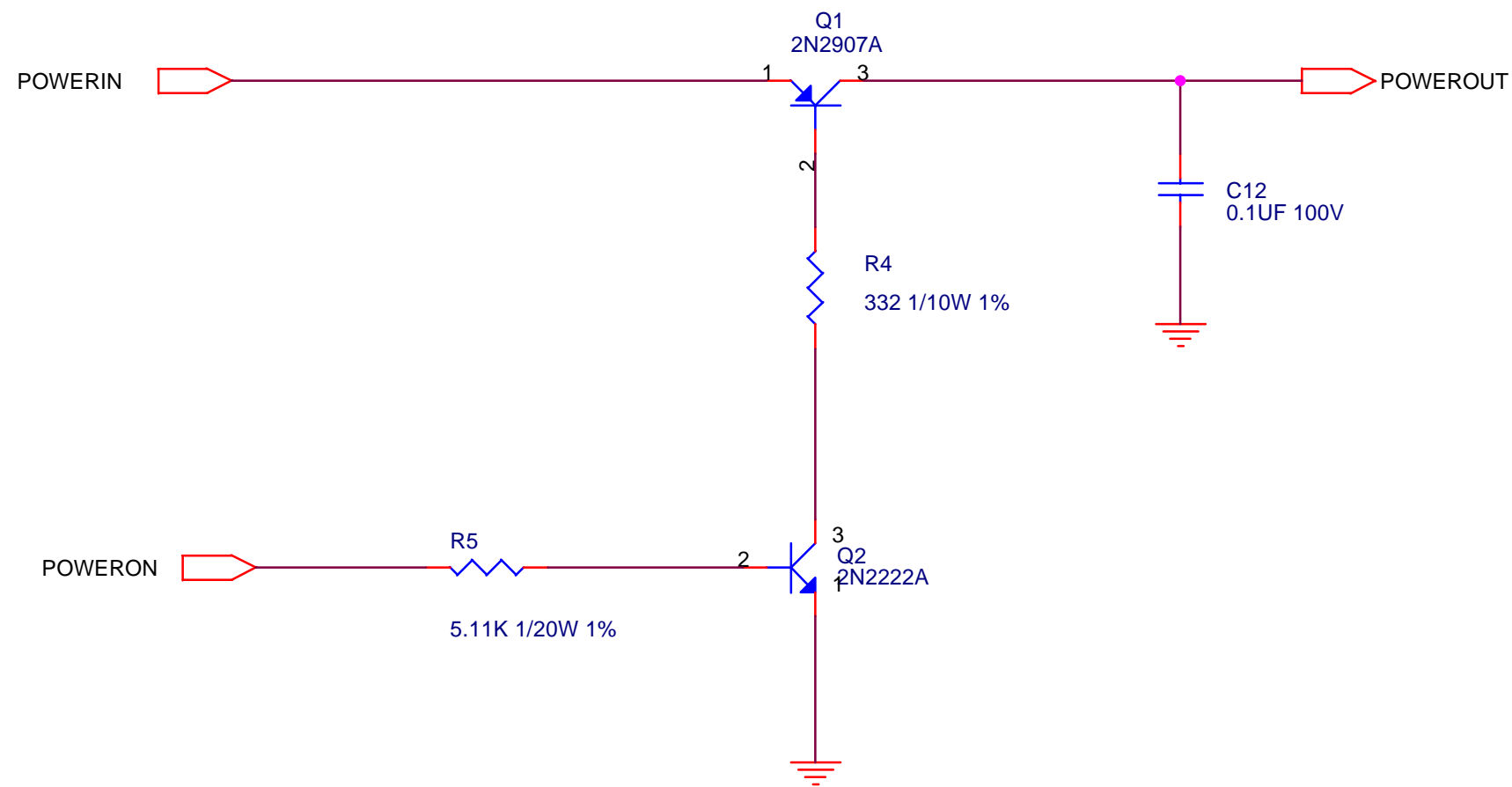
Title		
Data Controller Board - Particle Detector		
Size	Document Number	Rev
A	{Doc}	C
Date:	Friday, March 19, 1999	Sheet 4 of 16



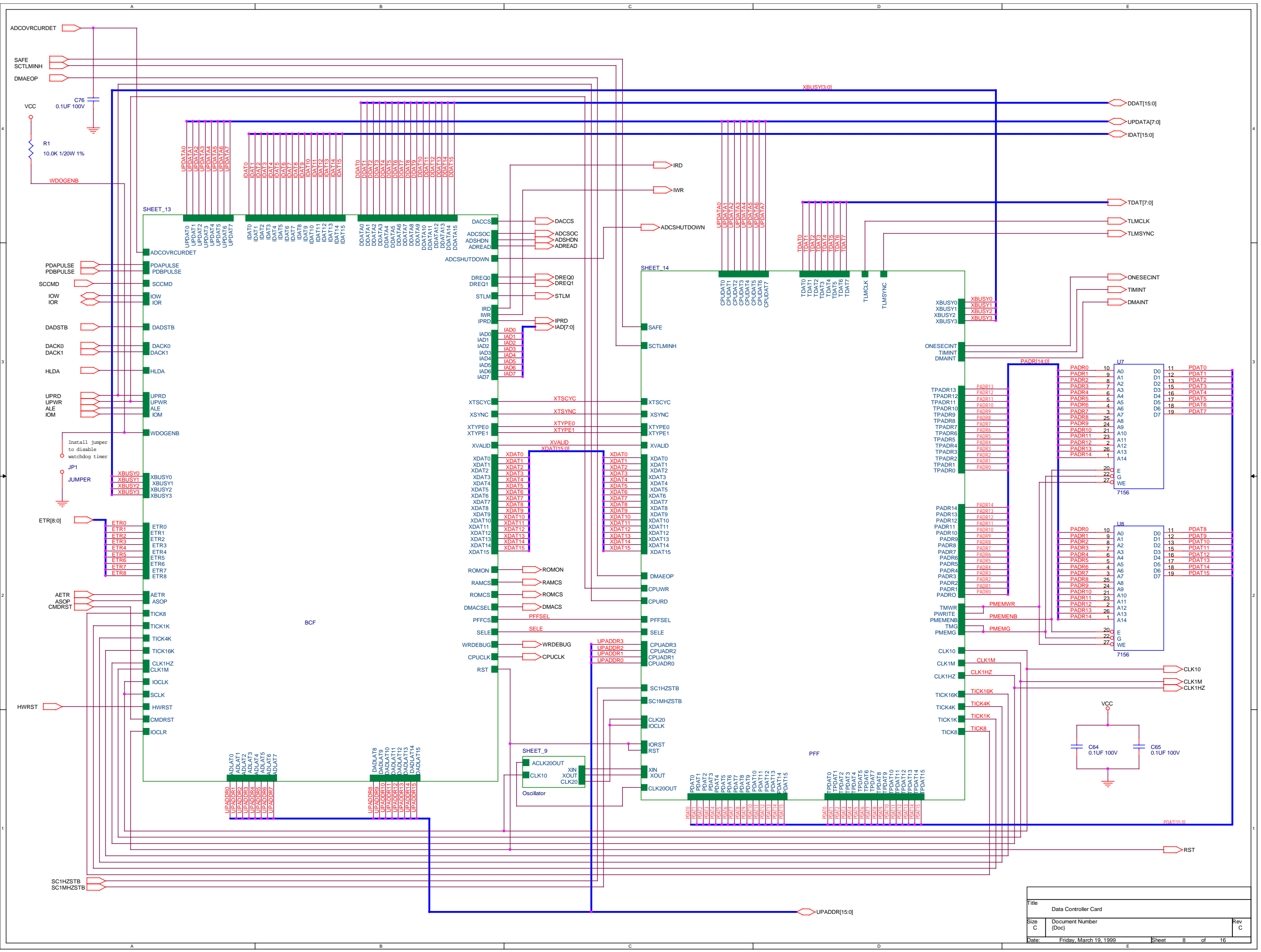
Title		
Data Controller Board - System Control		
Size	Document Number	Rev
B	{Doc}	C
Date:	Friday, March 19, 1999	Sheet 5 of 16
		E



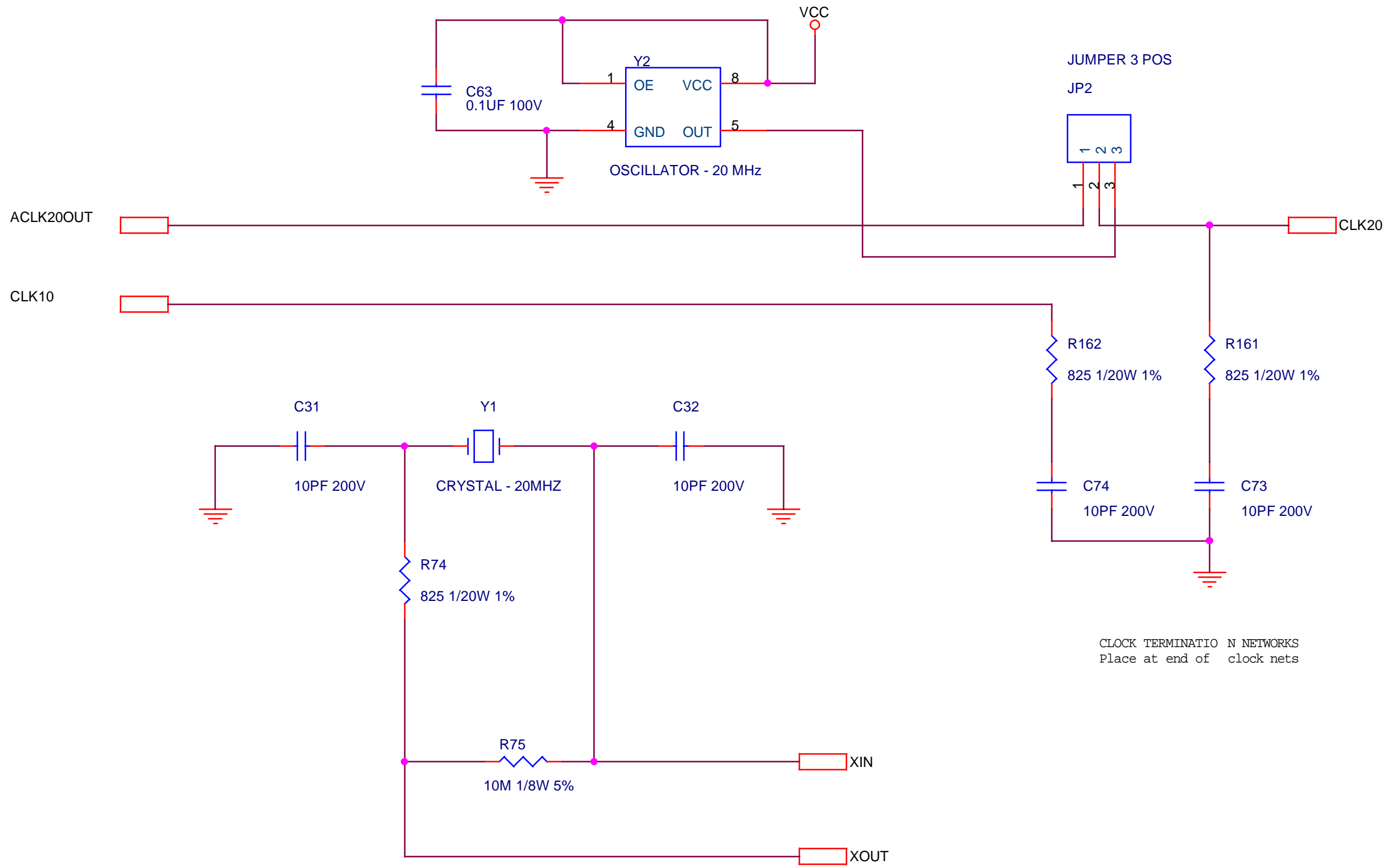
Title		
Processor		
Size	Document Number	Rev
B	{Doc}	C
Date:	Friday, March 19, 1999	Sheet 6 of 16
		E



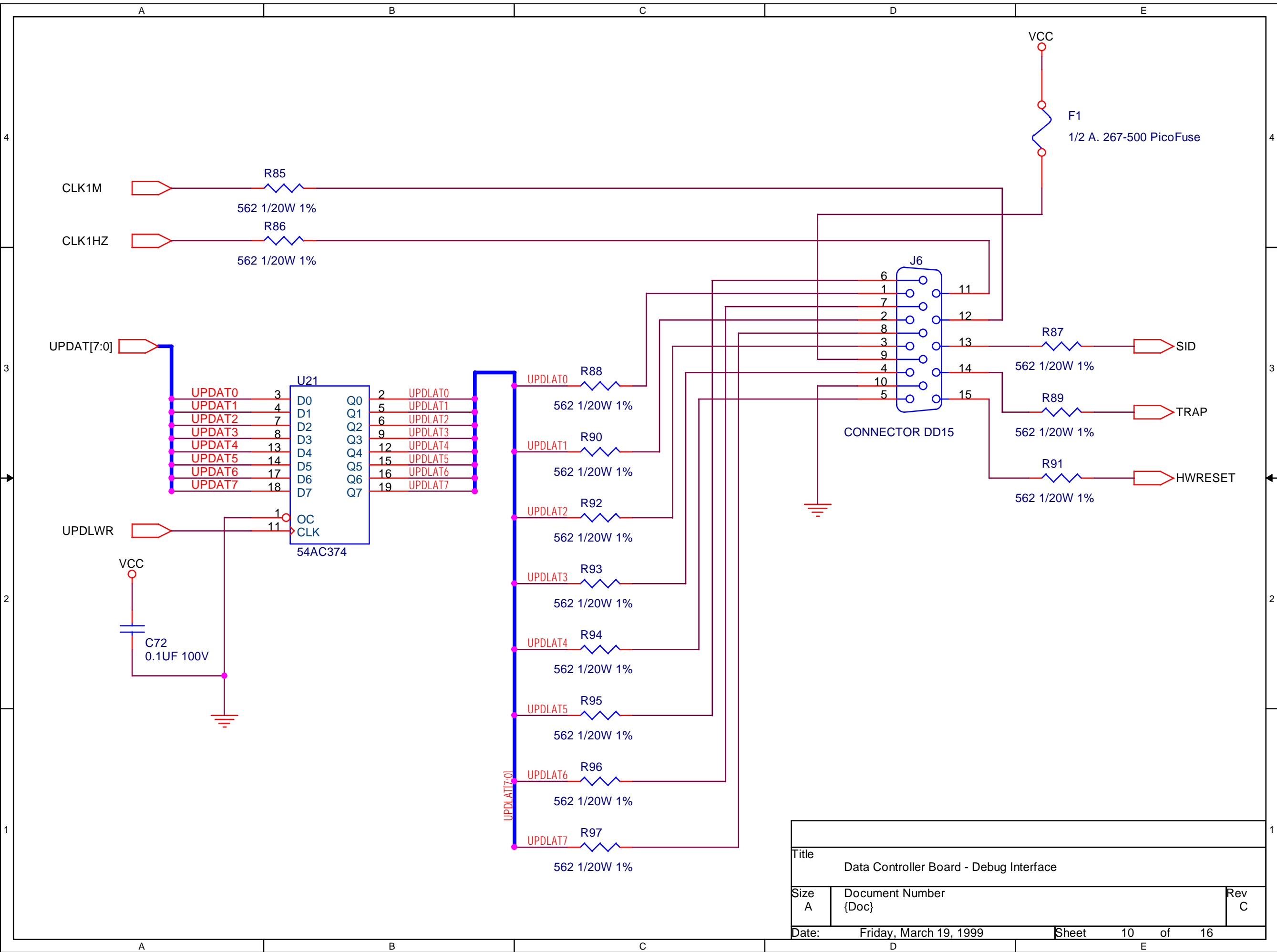
Title		
Data Controller Board - Power Switch		
Size	Document Number	Rev
A	{Doc}	C
Date:	Friday, March 19, 1999	Sheet 7 of 16



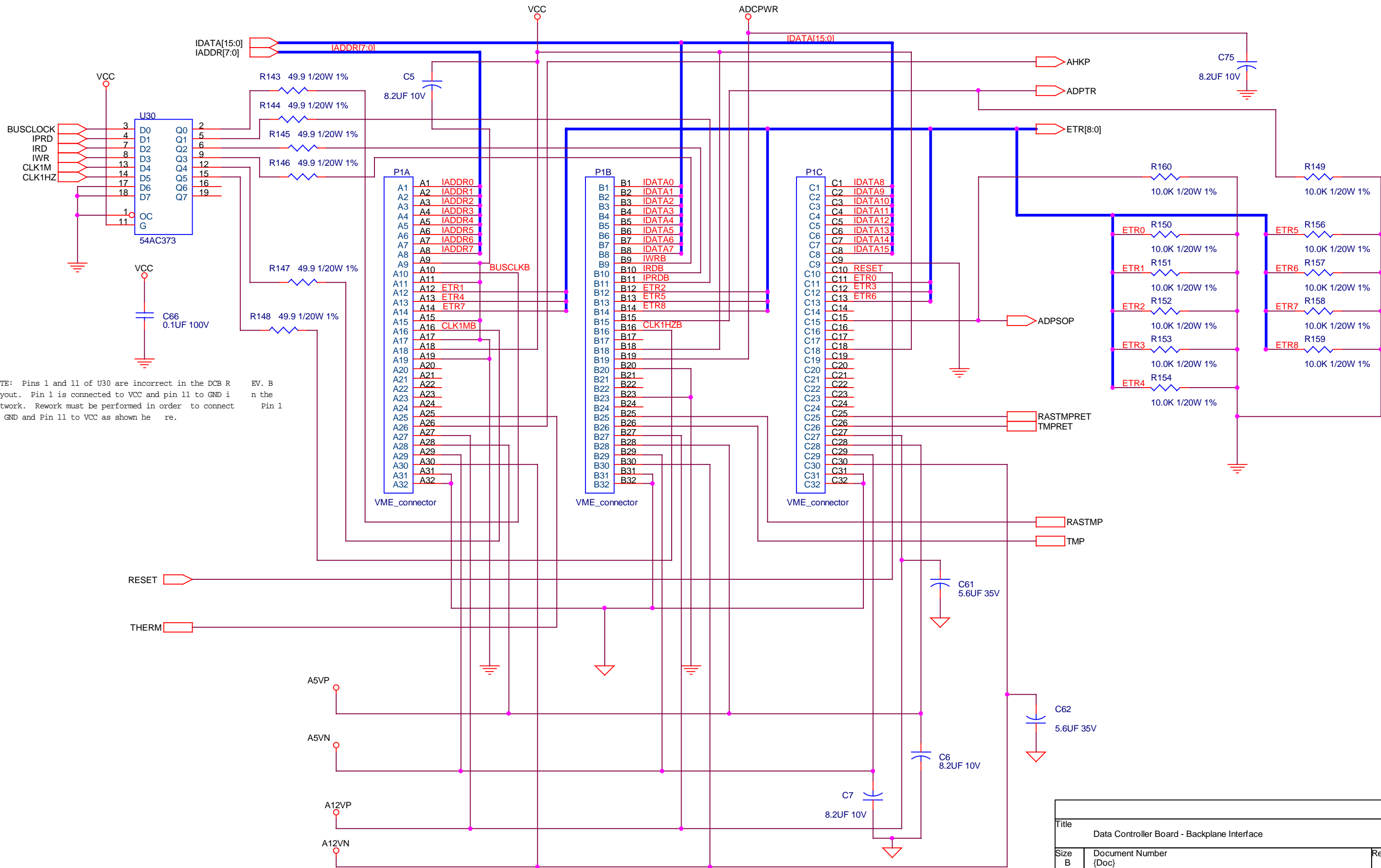




Title		
DC Board - Oscillator		
Size	Document Number	Rev
A	{Doc}	C
Date:	Friday, March 19, 1999	Sheet 9 of 16

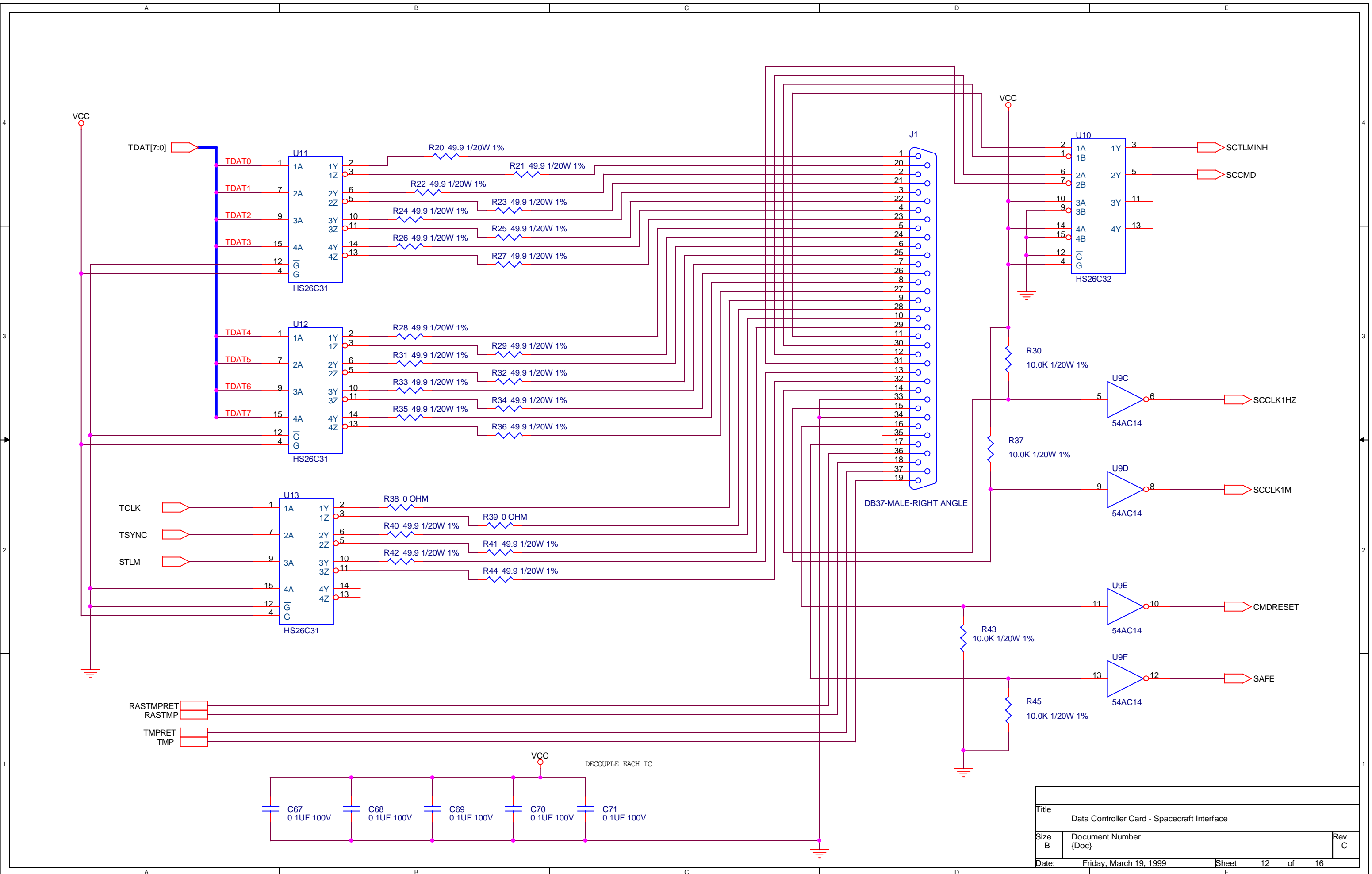


Title		
Data Controller Board - Debug Interface		
Size	Document Number	Rev
A	{Doc}	C
Date:	Friday, March 19, 1999	Sheet 10 of 16

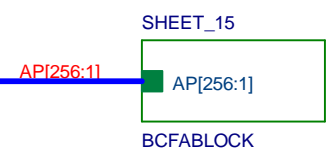
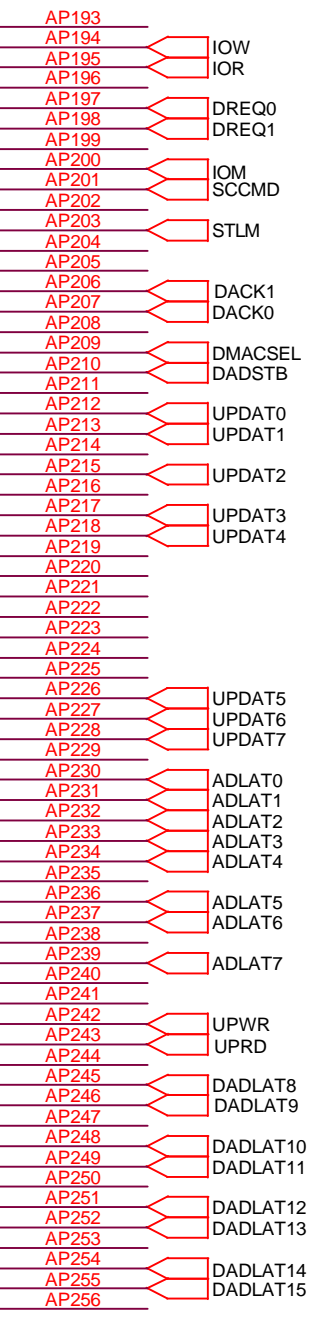
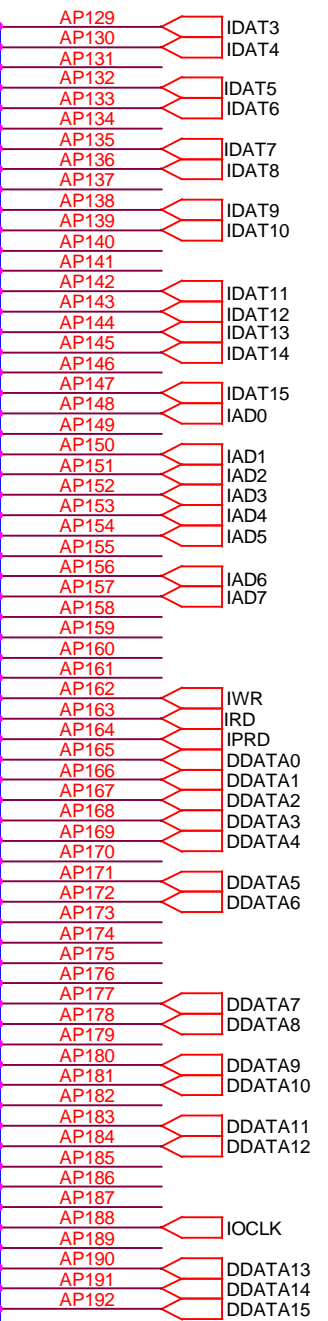
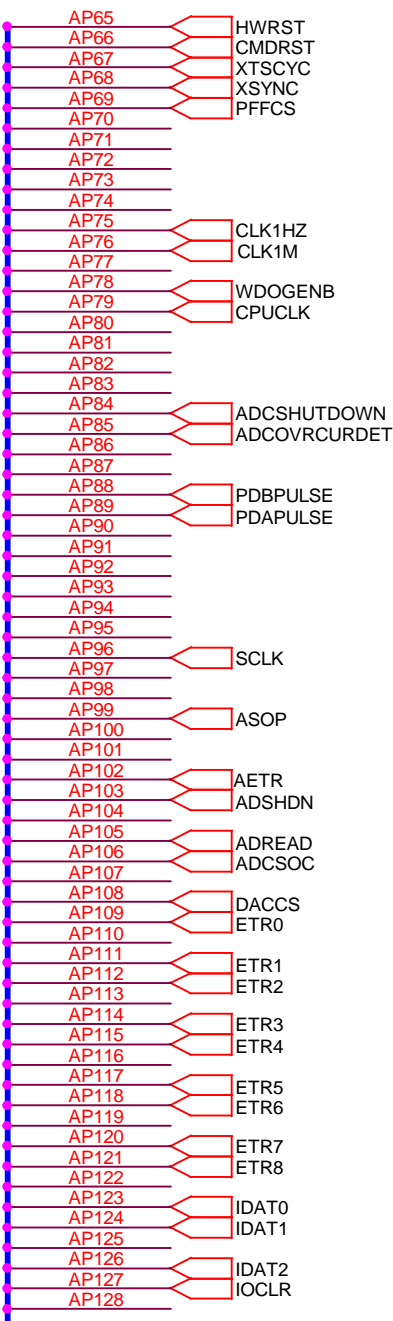
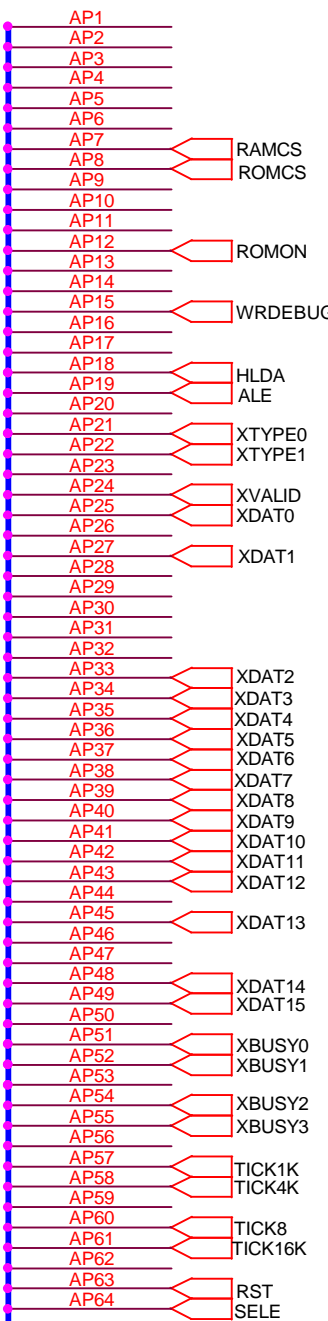


NOTE: Pins 1 and 11 of U30 are incorrect in the DCB R layout. Pin 1 is connected to VCC and pin 11 to GND in the artwork. Rework must be performed in order to connect to GND and Pin 11 to VCC as shown here.

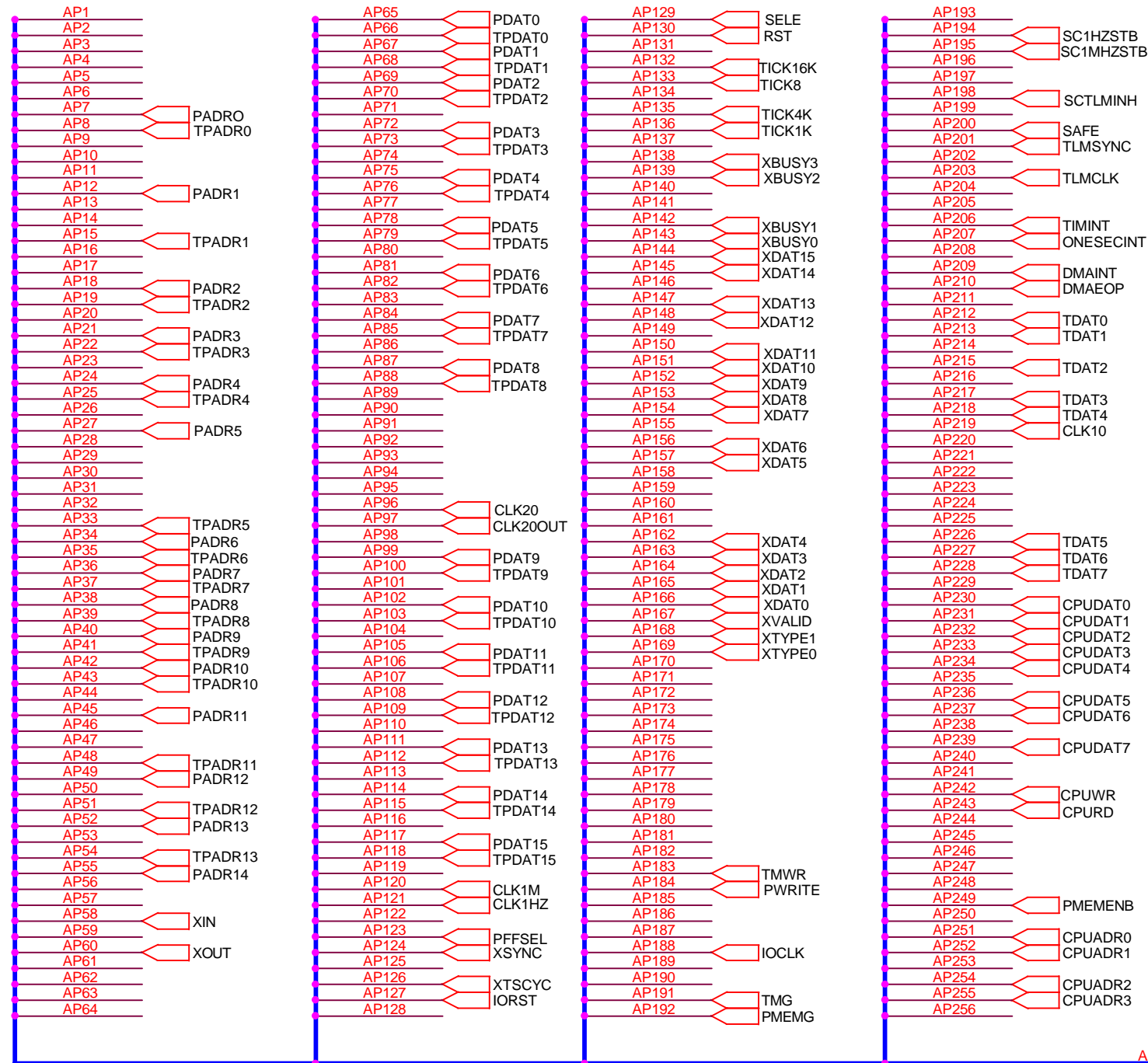
Title		
Data Controller Board - Backplane Interface		
Size B	Document Number {Doc}	Rev C
Date:	Friday, March 19, 1999	Sheet 11 of 16



Title		
Data Controller Card - Spacecraft Interface		
Size B	Document Number {Doc}	Rev C
Date:	Friday, March 19, 1999	Sheet 12 of 16



Title Data Controller Board - BCF		
Size B	Document Number {Doc}	Rev C
Date:	Friday, March 19, 1999	Sheet 13 of 16

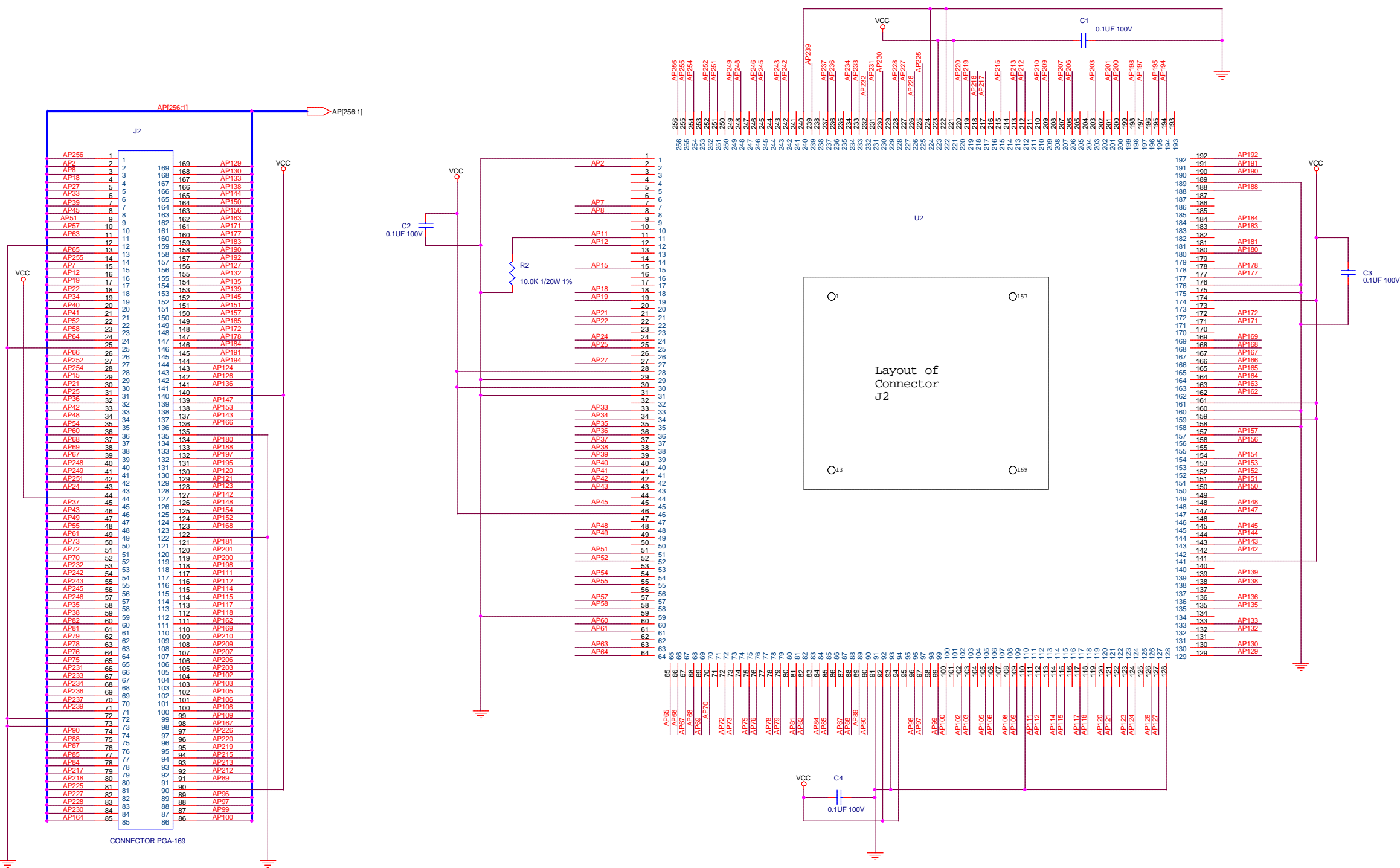


SHEET\_16

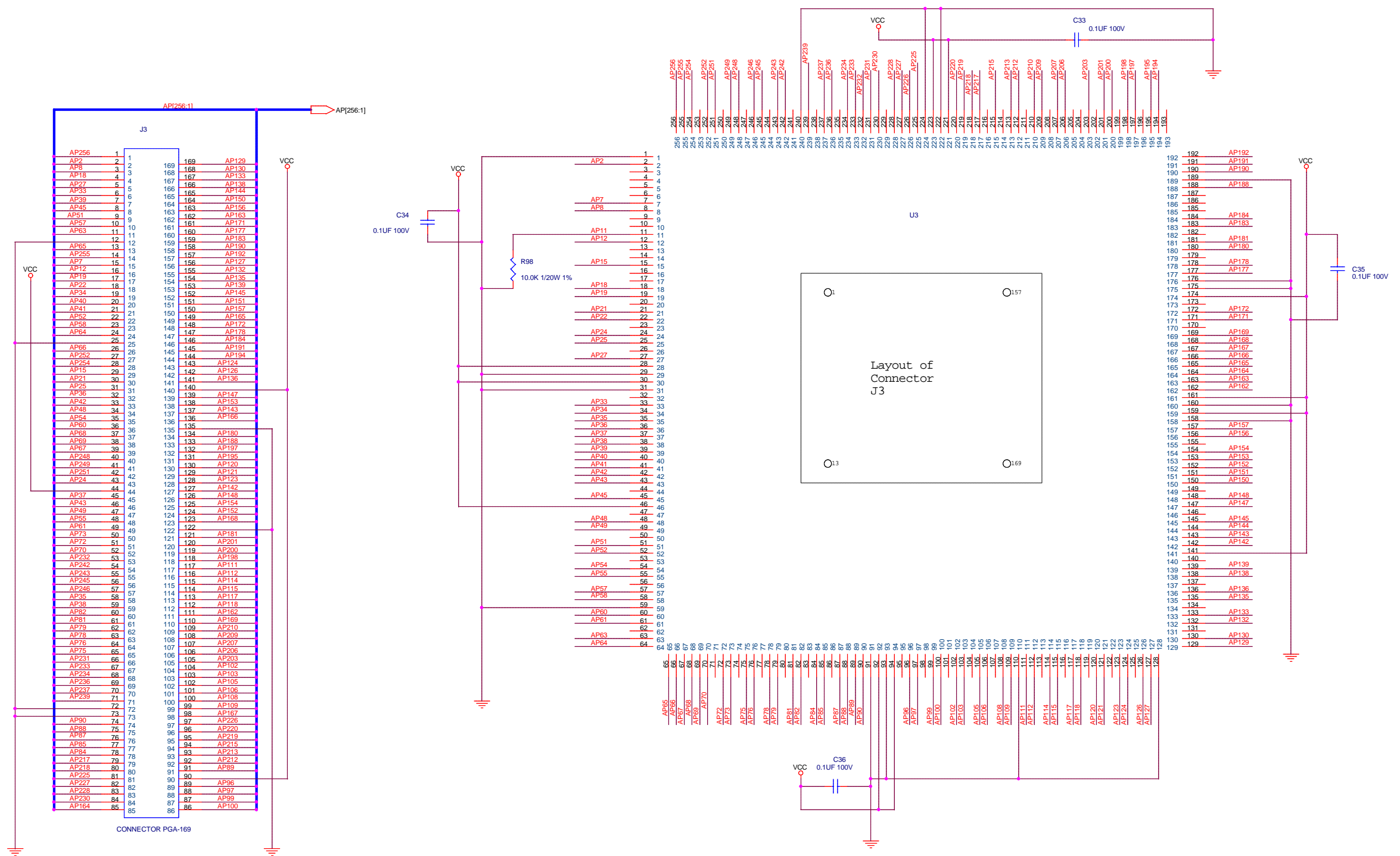


PFFAblock

Title		
Data Controller Board - PFF		
Size	Document Number	Rev
B	{Doc}	C
Date:	Friday, March 19, 1999	Sheet 14 of 16
		E



Title		
Data Controller Board - BCF Ablock		
Size	Document Number	Rev
C	(Doc)	C
Date:	Friday, March 19, 1999	Sheet 15 of 16



Title		
Data Controller Board - PFF Ablock		
Size	Document Number	Rev
C	(Doc)	C
Date:	Friday, March 19, 1999	Sheet 16 of 16