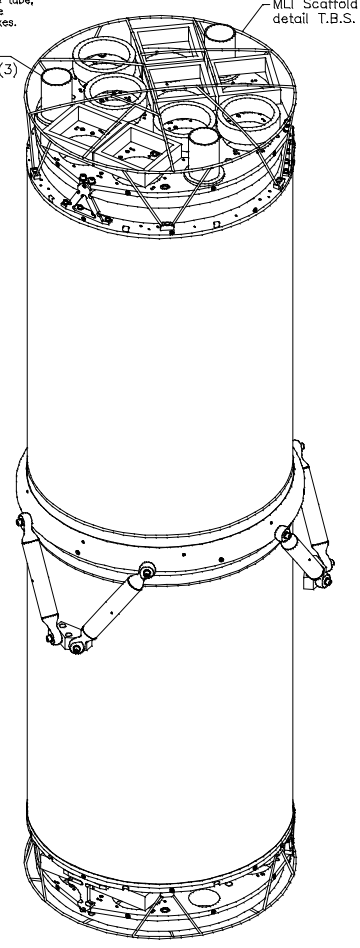
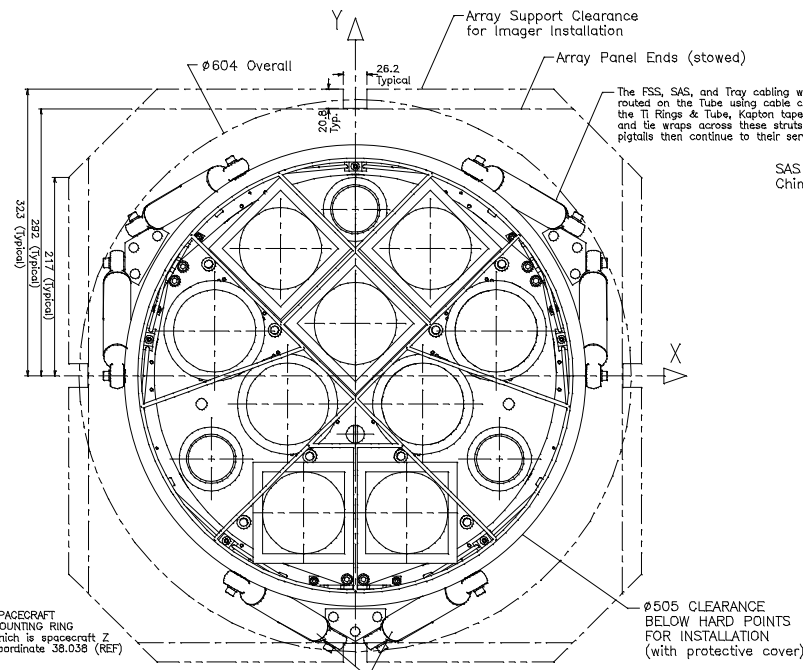
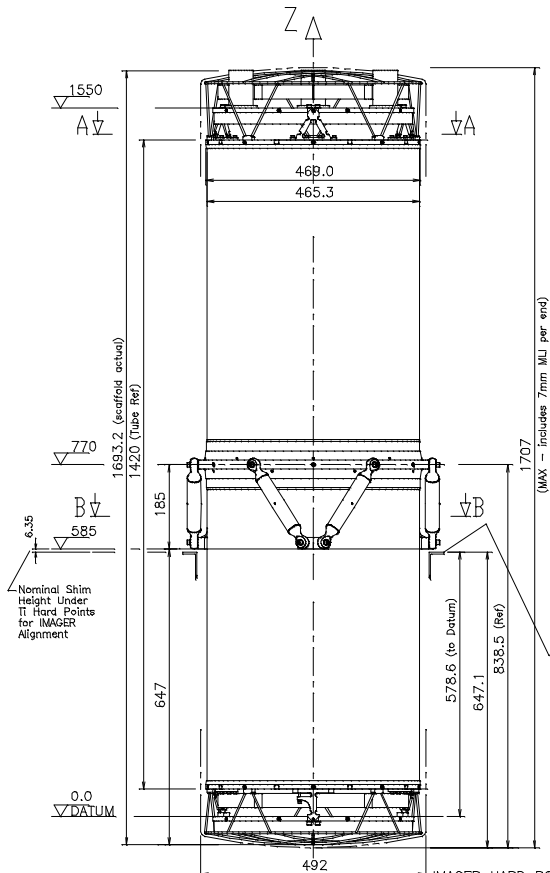
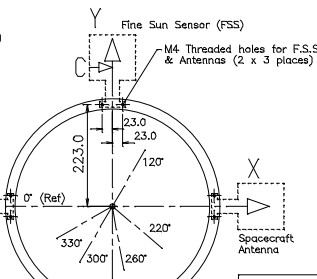
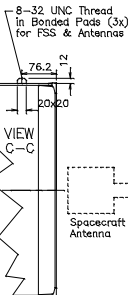


VIEW FROM ABOVE (2x)

Date	REVISION DESCRIPTION
3/99	d Add drill template note, correct flange O.D. & bolt sizing
3/99	e add Z ref for spacecraft interface



IMAGER HARD POINT MOUNTING HOLES (3x @ 120°)
 Holes are Located by PSI Template 2-43.3.856
 Dimensions are for Reference Only
 (B-B Section View)



HESSI IMAGER Boresight Data

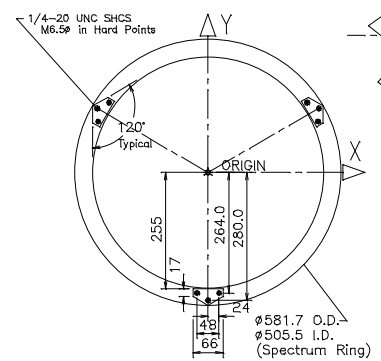
Grid	X coord	Y coord	FDV
1	-74.00	-31.00	16°
2	74.00	-31.00	16°
3	154.00	49.00	1°
4	-154.00	49.00	1°
5	82.00	139.00	1°
6	-82.00	139.00	1°
7	0.00	57.00	1°
8	-56.50	-150.00	7.5°
9	56.50	-150.00	7.5°

SAS Lens Locations

Grid	X coord	Y coord	FDV
10	0.00	182.00	1°
11	157.62	-91.00	1°
12	-157.62	-91.00	1°

NOTES:
 * grid active area is 890 mm
 * the SAS lenses are 48 mm

- INTERFACE CONTROL DRAWING NOTES:**
- Mass: 61.46 kg (ICD max) ...see HESSI mass budget for details
 - Power: 11.63watts (ICD max) ...see HESSI power budget for detail
 - Temperature: +10C to +30C T.B.C. (operating)
0C to +40 C T.B.C. (survival)
 - Thermal Surfaces: All exposed surfaces (except the SAS lenses) will be covered with MLI blankets. T.B.D. Drawing will provide details. The MLI will be 4 pieces: upper / lower Tube Wraps and End Caps. The MLI end cap(s) will be removed for the alignment and TMS tests.
 - Fields of View Requirements: see Table
 - Alignment Requirements: The imager must be pointed to within 0.2° of the sun. The imager will be aligned to the spacecraft to 0.1' & 1mm NR T.B.D. doc describes the spacecraft alignment process.
 - Fiducial Refs: 9 x 40' spacing (from +Y) radial tooling ball sockets are located in the TI Rings at Z datum +5, +770, and +1545 elevations.
 - Handling Restrictions and Safety Precautions: The grid trays on either end are aligned to micron precision, and should not be handled.
5.1 A T.B.D. protective cover should be used for all handling procedures.
5.2 A centrally mounted fixture will be used for handling and installation.
 - Special Environmental Constraints: none - T.B.C.
 - EM/EMC/ESD/Magnetic sensitivity: NONE
 - Red/Green Tag Items and Protective Covers:
8.1 The SAS Lenses will have RED TAG Protective Dust Covers for all I&T ops.
8.2 The Grid Tray(s) will have RED TAG Protective Covers for handling.



CABLE ANCHOR PADS (same as FSS pad) angle Tube sta.

220°	1404
260°	1404
330°	1404
120°	1336
300°	1336
120°	1116
300°	1116
120°	896
300°	896

Pos.	Rev.	Rev. No.	Rev. Date	Rev. By	Rev. Desc.	Stichtag	Benennung / Merkmale
1	01	01	01-01-98	V. BSE			
2	02	01	02-04-98	J. Viete			
3	03	01					
4	04	01					
5	05	01					
6	06	01					
7	07	01					
8	08	01					
9	09	01					
10	10	01					
11	11	01					
12	12	01					

HESSI IMAGING SYSTEM
 REFERENCEMODEL
 1-43.3.849e