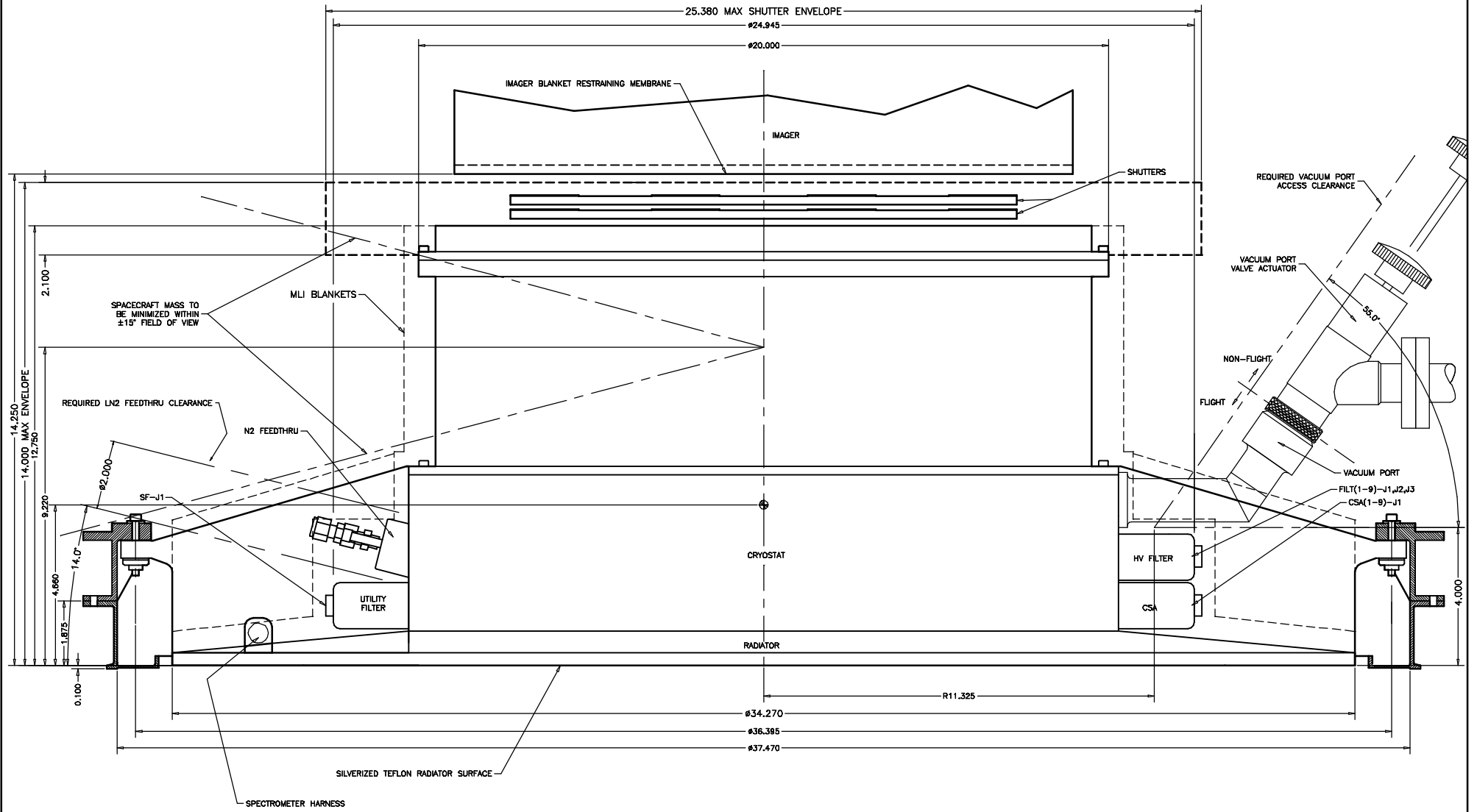


REVISIONS				
NO.	REV.	DESCRIPTION	DATE	APPROVED

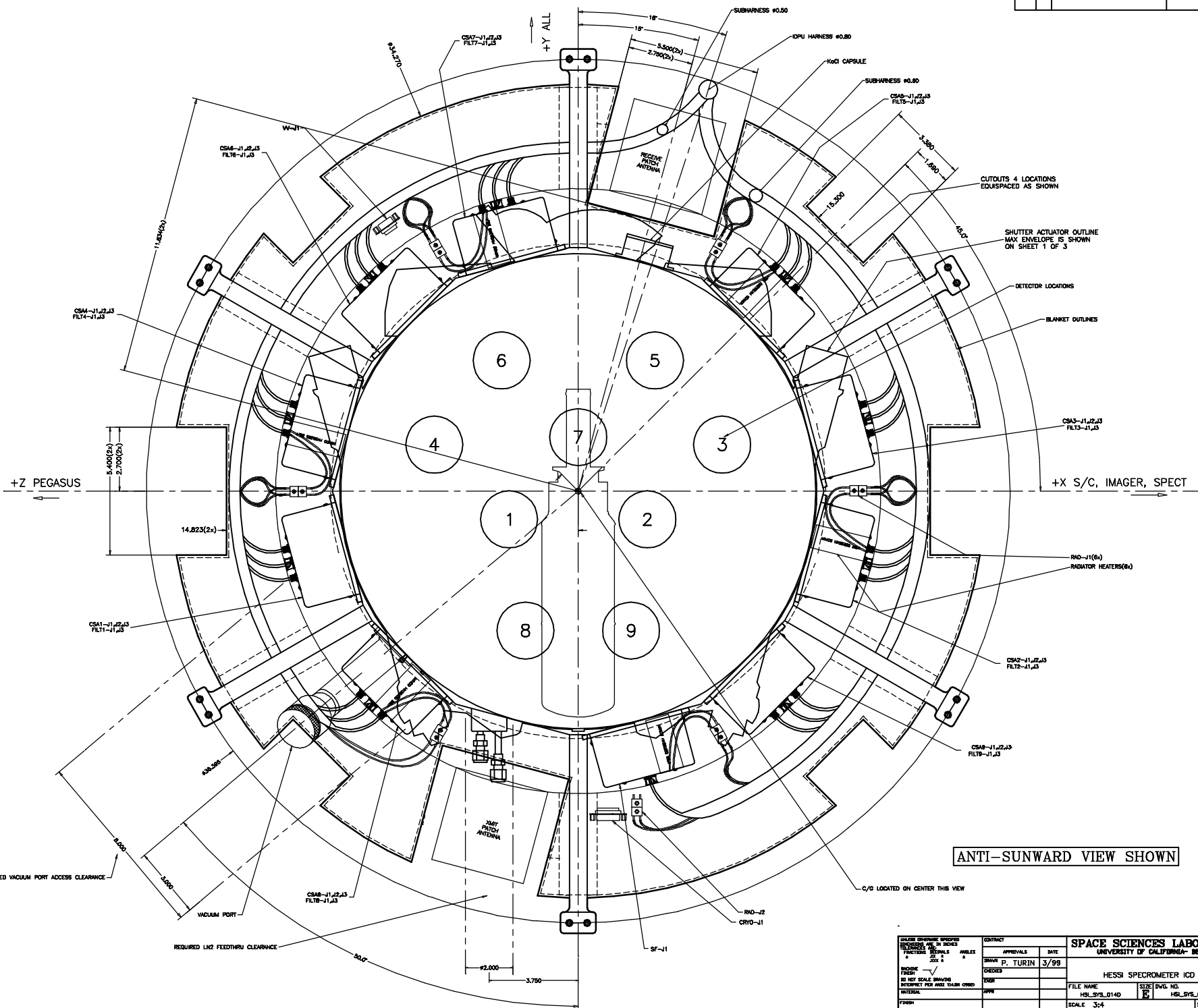
NOTES
 MASS: 66.62 kg (ICD MAX) (HSI SYS 010)
 POWER: 105.28 W (ICD MAX) (HSI SYS 006)
 TEMPERATURE: -40 TO +70 NONOPERATIONAL (HSI SYS 015)
 -30 TO +40 STARTUP
 -30 TO +50 OPERATIONAL
 ALIGNMENT REQS: ±1.0mm COALIGNMENT W/IMAGER GRID PATTERNS
 FIELD OF VIEW REQUIREMENTS: SPACECRAFT MASS TO BE MINIMIZED IN ALL-SKY FIELD OF VIEW (SEE BELOW)
 SILVER TEFLON RADIATOR SURFACE. ALL OTHER SURFACES EXCEPT SHUTTERS COVERED WITH MLI
 HANDLING RESTRICTIONS AND SAFETY PRECAUTIONS: LN2 HANDLING PRECAUTIONS
 SILVER TEFLON RADIATOR SURFACE NOT TO BE DAMAGED
 SPECIAL ENVIRONMENTAL CONSTRAINTS: NONE
 EM/RF/ESD/MAGNETIC SENSITIVITY: NONE
 RED/GREEN TAG ITEMS AND PROTECTIVE COVERS:
 GSE N2 FEED SUPPORT - GREEN TAG
 ON-ORBIT VACUUM VALVE - RED TAG
 THERMAL CONDUCTIVITY TO SPACECRAFT = 0.07W/°C



NOTES
 FOR CLARITY, CLOCKING OF FEATURES IN THIS VIEW ARE NOT SHOWN TO SCALE - SEE TOP VIEW FOR ACTUAL CLOCKING

DESIGN ORIGINATOR: HESSI DRAWING NO.: HSI-SYS-014D DATE: 3/99 SCALE: 1:1	CONTRACT: HESSI APPROVALS: P. TURIN DATE: 3/99	SPACE SCIENCES LABORATORY UNIVERSITY OF CALIFORNIA - BERKELEY HESSI SPECTROMETER ICD FILE NAME: HSI-SYS-014D SIZE: E DWG. NO.: HSI-SYS-014 REV: G SCALE: 1:1 SHEET 1 OF 3
---	--	--

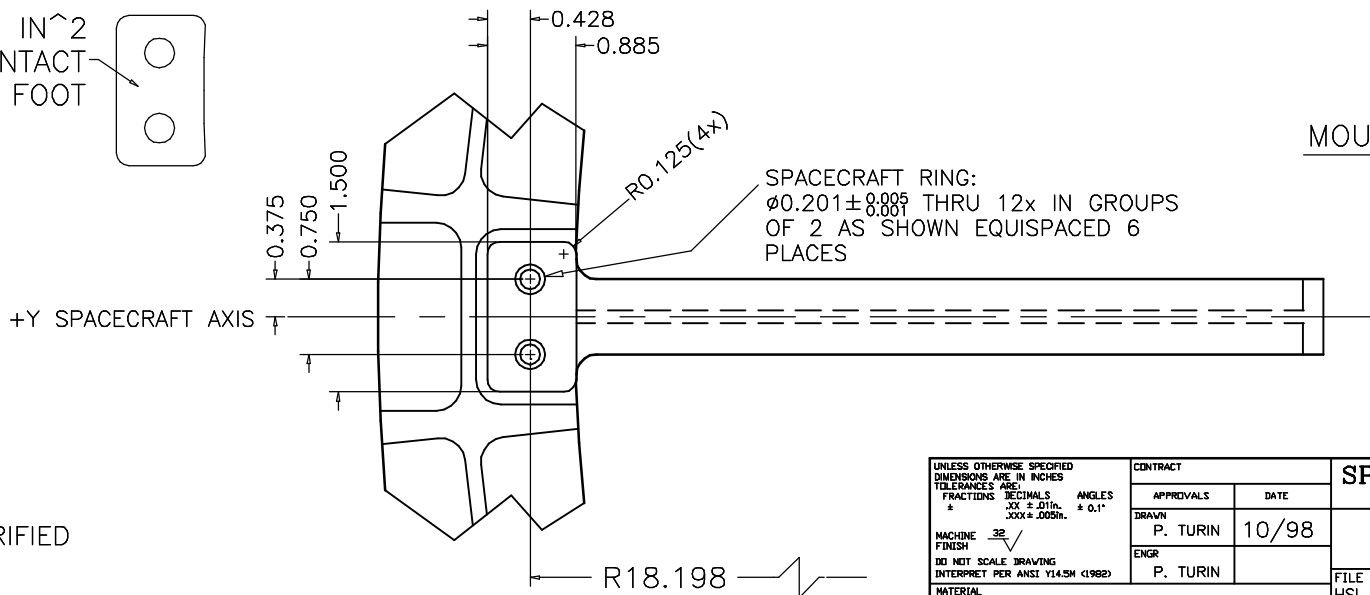
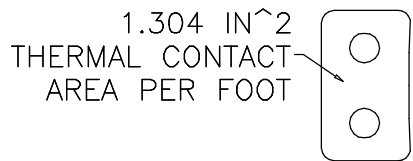
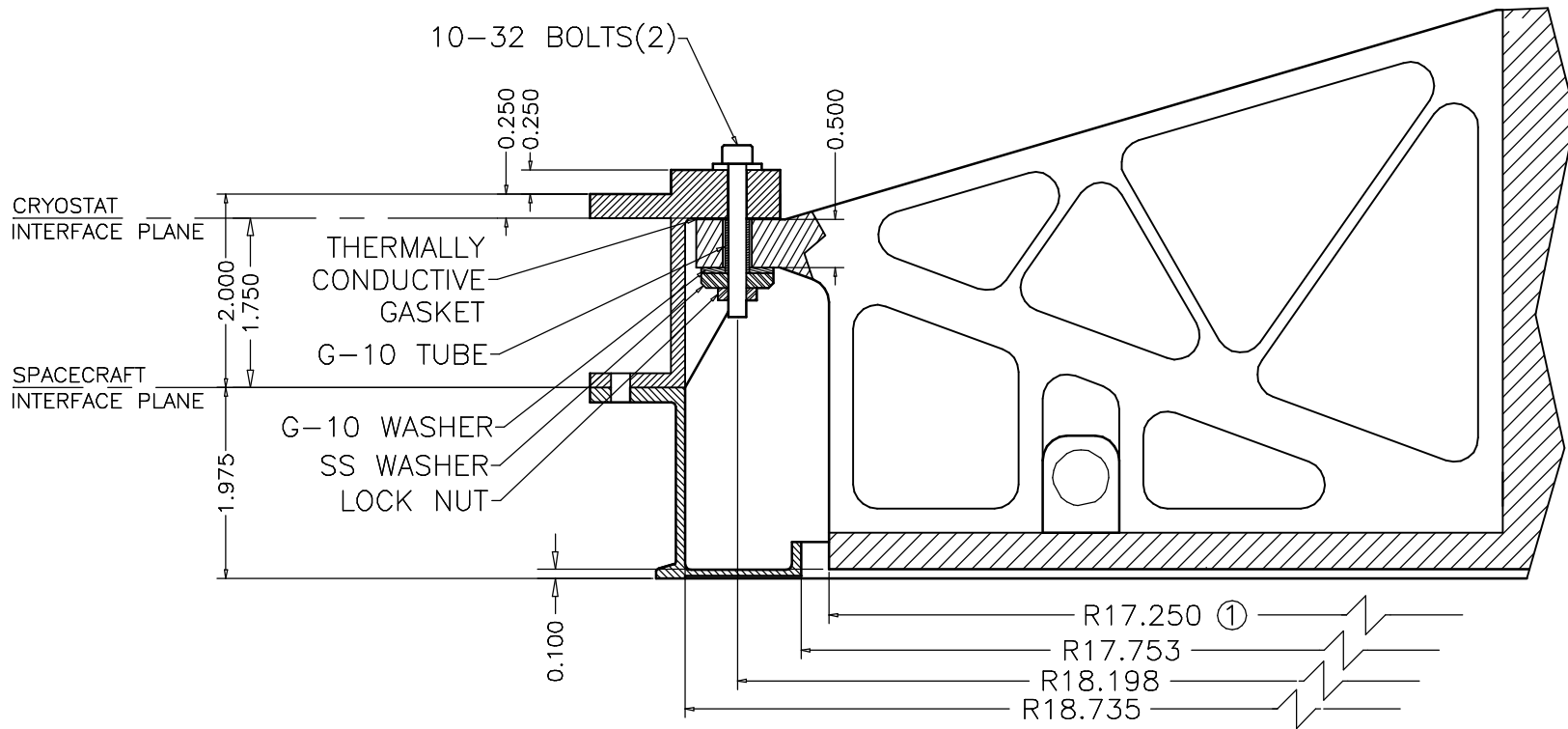
REVISIONS				
DATE	REV.	DESCRIPTION	DATE	APPROVED



ANTI-SUNWARD VIEW SHOWN

DESIGN ENGINEER CHECKED BY DRAWN BY INCHES 1/8" = 1" SCALE INTERPRET PER ASST. TASK CMDR PENDING FPM	CONTRACT APPROVALS P. TURIN DATE 3/99	SPACE SCIENCES LABORATORY UNIVERSITY OF CALIFORNIA - BERKELEY HESSI SPECTROMETER ICD FILE NAME HSL_SYS_014D SCALE 3:4	DWG. NO. HSL_SYS_014 REV G SHEET 2 OF 3
---	---	--	---

REVISIONS				
ZONE	REV.	DESCRIPTION	DATE	APPROVED



MOUNTING DETAIL(6x)

NOTES
 ① TO BE VERIFIED

<small>UNLESS OTHERWISE SPECIFIED DIMENSIONS ARE IN INCHES TOLERANCES ARE: FRACTIONS DECIMALS ANGLES ± .XX ± .01in. ± 0.1° XXX ± .005in.</small> <small>MACHINE FINISH 32</small> <small>DO NOT SCALE DRAWING INTERPRET PER ANSI Y14.5M (1982)</small> <small>MATERIAL</small> <small>FINISH</small>	<small>CONTRACT</small> <small>APPROVALS</small> <small>DRAWN</small> <small>ENGR</small>		<small>DATE</small> <small>10/98</small>		SPACE SCIENCES LABORATORY <small>UNIVERSITY OF CALIFORNIA- BERKELEY</small>		
	<small>P. TURIN</small>		<small>P. TURIN</small>		<small>HESSI SPECROMETER ICD</small>		
<small>FILE NAME</small> <small>HSL_SYS_014E</small>			<small>SIZE</small> <small>C</small>		<small>DWG. NO.</small> <small>HSL_SYS_014</small>		<small>REV</small> <small>F</small>
<small>SCALE</small> <small>1:1</small>				<small>SHEET 1 OF 3</small>			