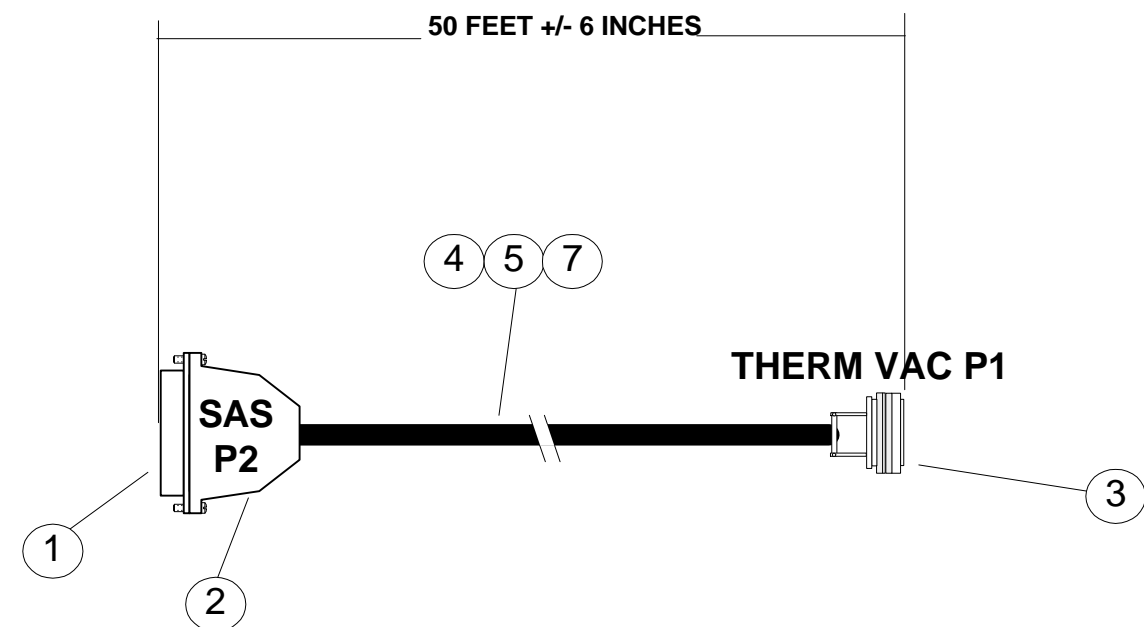
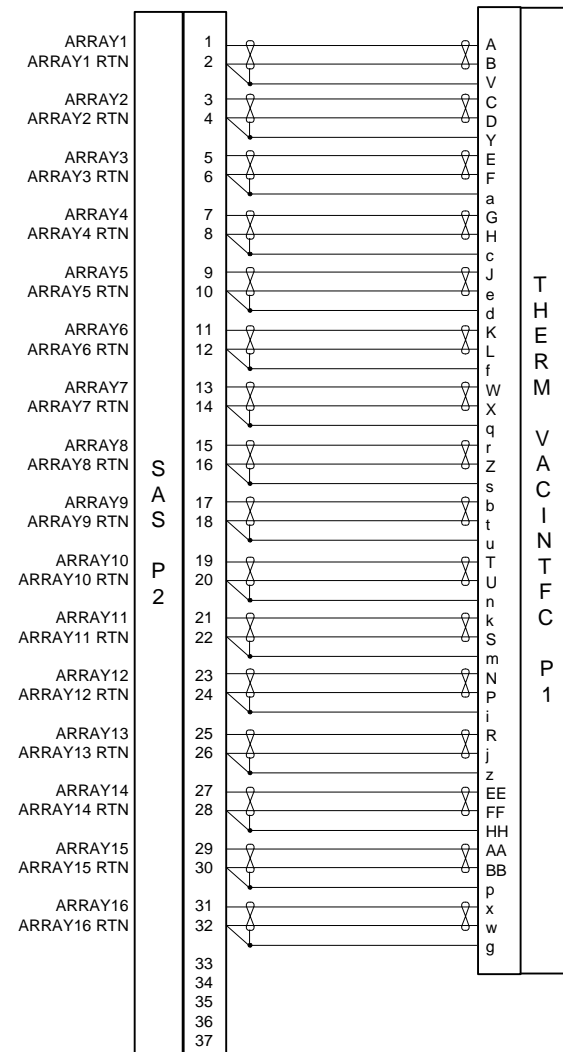


REVISIONS				
ZONE	REV	DESCRIPTION	DATE	APPROVED
	-	RELEASE PER 1110-EC-G15719	6/18/99	K.Ball
	A	RELEASE PER 1110-EC-G16414		



REF DES	PART NUMBER	MANUFACTURER	DESCRIPTION	QTY	U/M
ITEM001	205562-2	AMP	CONNECTOR, D-SUB, 37 PIN PLUG	1	EA
ITEM002	748676-4	AMP	BACKSHELL, SIZE 4	1	EA
ITEM003	MS3121F-22-55S	ITT	CIRC. CONNECTOR, 55S, 22 SHELL	1	EA
ITEM004	M22759/16-22-9	YES	WIRE, 22 AWG, STRANDED	800	FT
ITEM005	M27500-20-TE-2-T-14-9	YES	Wire, 20 AWG twisted shielded pair	800	FT
ITEM006	H-ML-8	SUMITO ELECTRIC	SOLDER SLEEVE	16	EA
ITEM007	GRP-110-3/4	YES	NYLON SLEEVING	50	FT

LABEL WITH PART NUMBER AND SERIAL NUMBER
 Note: Substitution allowed with Engineering Approval

CONTRACT NO.		SPECTRUM ASTRO		1440 N. FIESTA BLVD. GILBERT, AZ 85233	
APPROVALS	DATE	TITLE			
DRAWN G.LITTLE	6/5/99	SAS INPUT CABLE			
CHECK					
ENG		SIZE B	FSCM NO. 0T9D1	DWG. NO. AE-315709	REV. A
NEXT QTY / ASSY	FINAL	NEXT ASSY	USED ON	QA	SCALE
APPLICATION			FILE	SAS INPUT CABLE.vsd	
					SHEET 1 OF 1