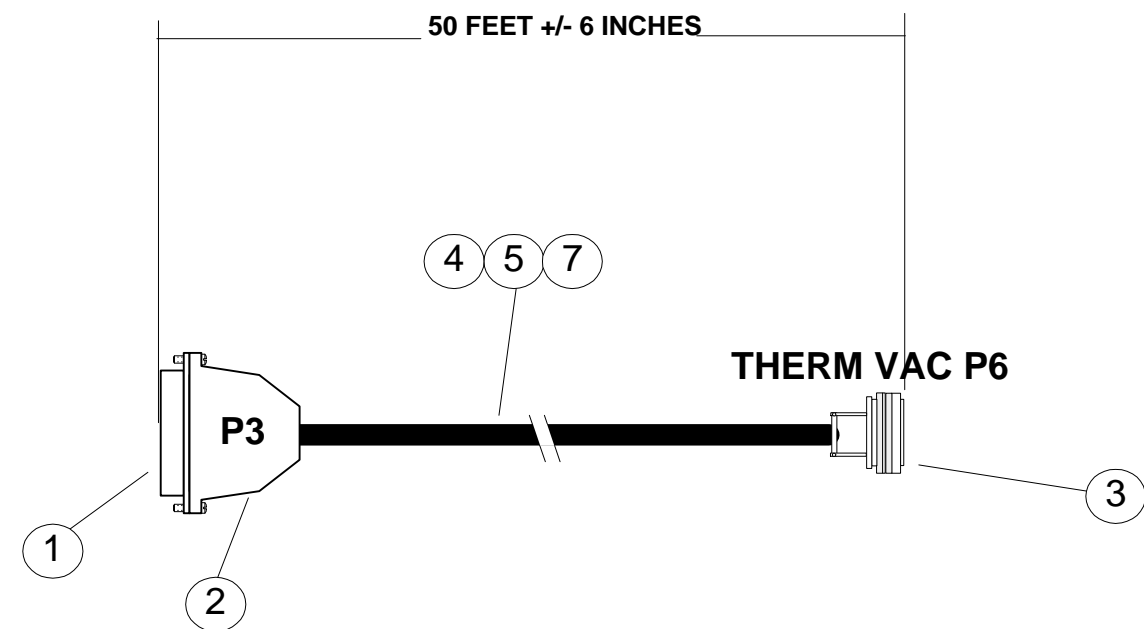
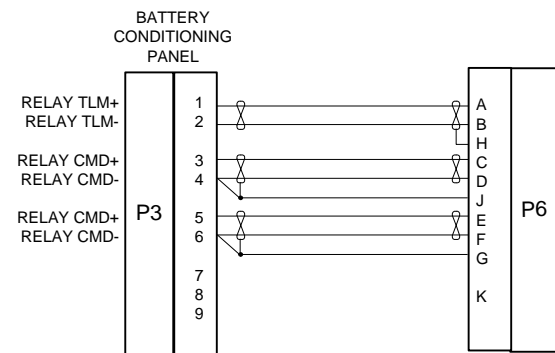


REVISIONS				
ZONE	REV	DESCRIPTION	DATE	APPROVED
	-	RELEASE PER 1110-EC-G15719		



REF DES	PART NUMBER	MANUFACTURER	DESCRIPTION	QTY	U/M
ITEM001	205556-2	AMP	CONNECTOR, D-SUB, 9 PIN PLUG	1	EA
ITEM002	748676-1	AMP	BACKSHELL, SIZE 1	1	EA
ITEM003	MS3121F-12-10S	ITT	CIRC. CONNECTOR, 55S, 22 SHELL	1	EA
ITEM004	M22759/16-22-9	YES	WIRE, 22 AWG, STRANDED	105	FT
ITEM005	M27500-20-TE-2-T-14-9	YES	Wire, 20 AWG twisted shielded pair	150	FT
ITEM006	H-ML-8	SUMITO ELECTRIC	SOLDER SLEEVE	3	EA
ITEM007	GRP-110-3/4	YES	NYLON SLEEVING	50	FT

LABEL WITH PART NUMBER AND SERIAL NUMBER
 Note: Substitution allowed with Engineering Approval

CONTRACT NO.		SPECTRUM ASTRO		1440 N. FIESTA BLVD. GILBERT, AZ 85233	
APPROVALS	DATE	TITLE			
DRAWN G.LITTLE	6/9/99	RELAY BOX CABLE			
CHECK		SIZE	FSCM NO.	DWG. NO.	REV.
ENG		B	0T9D1	AE-315711	-
NEXT QTY / ASSY	FINAL	NEXT ASSY	USED ON	QA	SCALE
			APPLICATION		FILE RELAY BOX CABLE.vsd